

# Waterless Eco Urinal

PATENT PENDING

## THE ECONOMIC BENEFITS

Using water to dispose of water makes no economic sense, particularly in a world facing a very limited supply of readily available fresh water. Our waterless urinals save in three important ways:

**Purchase Price:** Waterless urinals are less expensive to purchase and install than flush urinals because they have no flushing mechanism. All that is required is a drainage outlet, typically less than an hour to install, and seconds to install the cartridge.

**Operating Costs:** Save 100% of the water going through urinals and 100% of water and sewer charges – both of which will certainly rise in the future.

**Maintenance Costs:** Dramatic reduction in maintenance, no flush valves or automatic sensors to malfunction, no constant changing of cartridges. Eliminate costs associated with stuck or broken valves from normal wear and vandalism. Reduce pipe cleaning since lines remain free of calcification as no hard water is running through them. Reduce energy costs associated with transporting water to and from urinals.

**Eco Urinal Cartridge:** With the introduction of Ecotech's Eco Urinal Cartridge for the waterless Eco Urinal, no more odors, no constant cartridge replacement issues, no cleaning problems, and no more financial commitment to replaceable cartridges. No "throw away" cartridges adding to landfill burdens. No more sealant issues from using the wrong cleaner or water.

**Code Compliance Certifications:** The Ecotech Eco Urinal with Eco Urinal Cartridge is compliant with the requirements of IAPMO IGC 161-2006a and 2006 International Plumbing Code®, Sections 419.1 & 604.4 for waterless urinals.

The Ecotech Eco Urinal Cartridge is compliant with the applicable performance requirements of ANSI Z124.9-04.

Leaders In LEED Water Conservation

Phone: (877) 341-9500

Fax: (888) 367-5556

Email: [info@ecotechwater.com](mailto:info@ecotechwater.com)

Web: [www.ecotechwater.com](http://www.ecotechwater.com)

©2006 Ecotech Water LLC. All rights reserved



**Greening The World...**  
**...One Drop At A Time**

# Waterless Eco Urinal

## Specifications:

Ecotech Water Eco Urinal  
Model # ETEU100  
Vitreous China Fixture  
ADA Compliant  
Standard White  
Installation and Maintenance Instructions

## Weight:

55 lbs.

## Included:

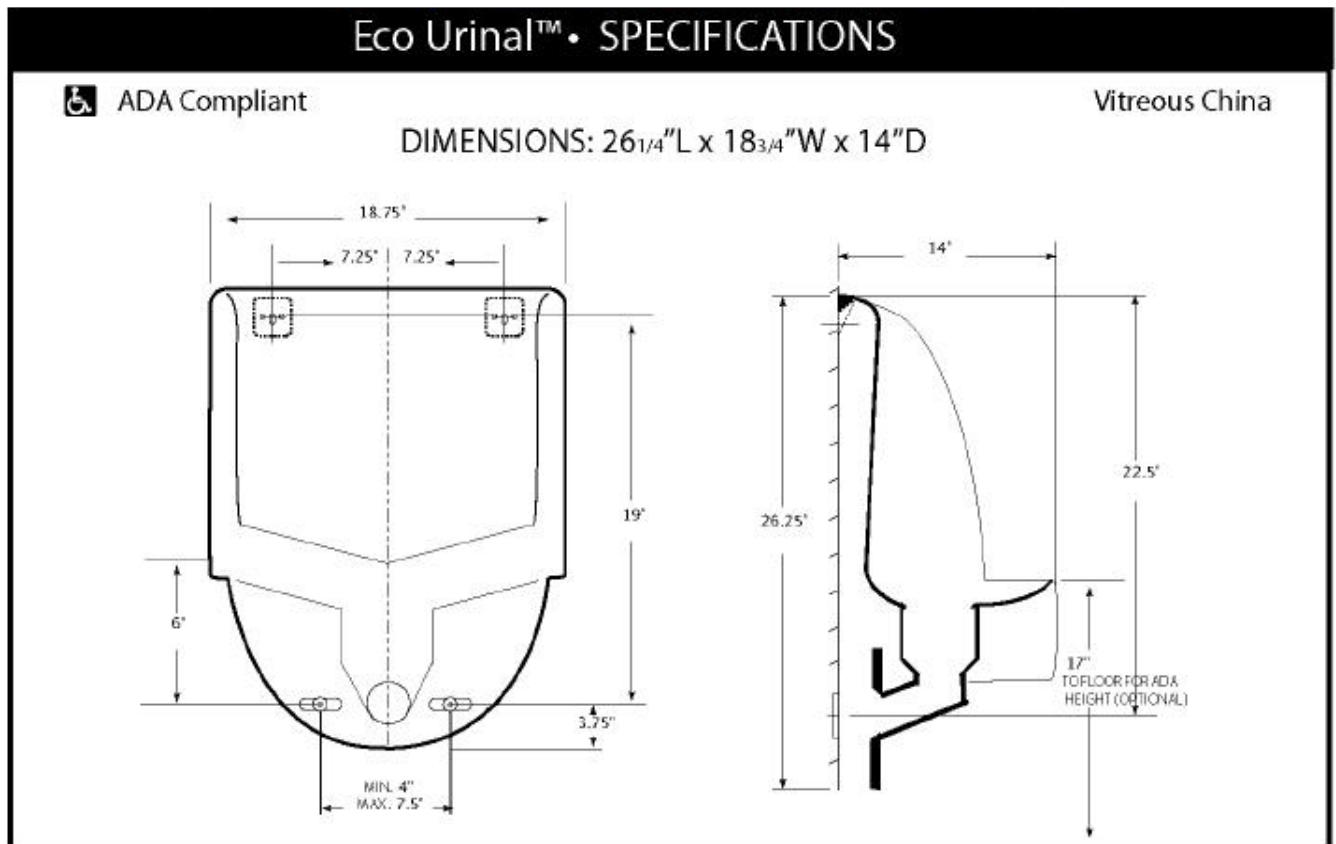
Wall Hanger Brackets (2)  
Spud Flange Studs and Nuts (2)  
Spud Flange Gasket (1)

## Available:

Heavy duty metal tool for cartridge removal - Model # ETCT-1  
Eco Urinal Cartridge - Model # ETEC-E  
Spud Flange



**Finished glazed porcelain drain vs. others with plastic housings.**



**Instructions:** It is recommended that drain lines be cleaned and/or snaked before installing the Eco Urinal. After urinal is installed simply insert the Eco Urinal Cartridge into the urinal housing.

